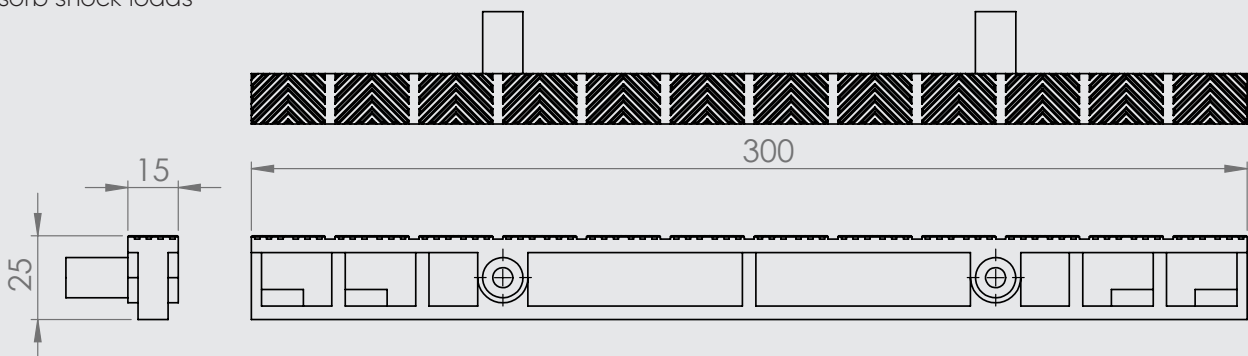


CAL Grate-Tech Overflow Channel Grating

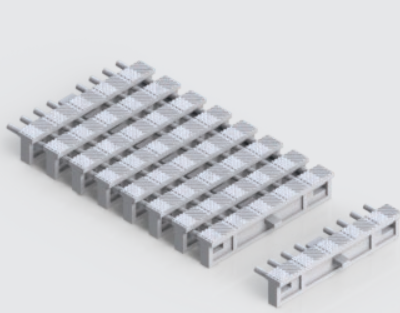
Coombes Aquatics Ltd (CAL) introduces the CAL Grate-Tech System. Offering high strength, combined with an attractive non-slip surface and backed by an exclusive 10-year warranty, CAL Grate-Tech offers many superior features and benefits.

Features and benefits:

- Designed in New Zealand to a proven design
- Long life, 10-year conditional warranty against breakage
- Superior resilience and strength to absorb shock loads
- Available in virtually any colour (minimum order applies)
- Individual moldular tight interlocking push-fit sections
- Made of long life UV stabilized PVC
- An optional molded PVC clamp is available to secure grating to the channel
- Attractive, non-slip top surface
- Top surface also offers superior water channeling into the overflow
- channel, in minimising the chances of water surging over the grating and onto the pool concourse
- Grating can be trimmed to suit various channel widths and depths
- Competatively priced
- Tested to Australian Loading Code for Building Design AS1657
- Radiused corners and free form pools are easily fitted with CAL Grate-Tech to a 1.8m radius



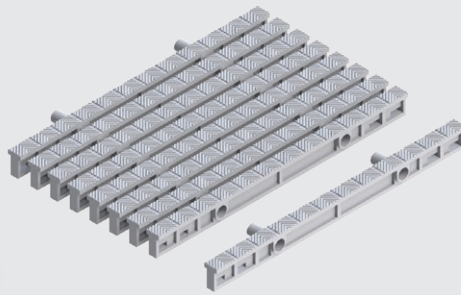
Choose an CAL Grate-Tech high strength overflow channel grate



125mm Drainage Channel Grate

To complement the Overflow Channel Grate we also produce a smaller drainage channel grate to match the colour and style of the overflow channel. Ideal for new facilities where a consistent visual approach is desired.

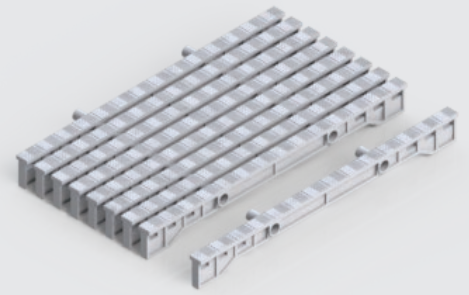
- 125mm x 25mm
- Will suit radius corners and free form pools
- Modular design for easy installation



300mm Overflow Grate

Our 300mm wide product can be found in pools all across New Zealand & Australia. Popular due to its modular design making it easy to install and requiring very little maintenance.

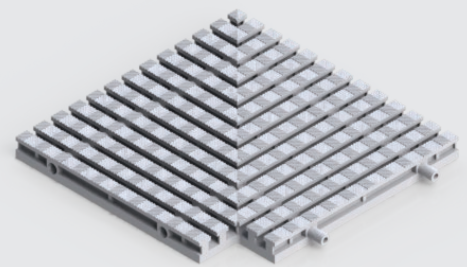
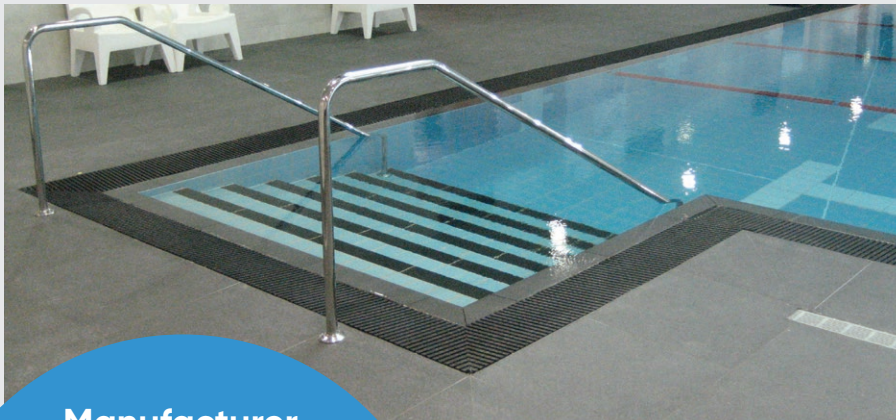
- 300mm x 25mm
- Can be trimmed to fit narrower channels
- Will suit radius corners and free form pools to a 1.8m radius
- Modular design for easy installation



350mm Overflow Grate

This 350mm wide grating offers all of the advantages of our 300mm wide CAL Grate-tech but in a larger size. This grating is also able to be trimmed to fit narrower channel sizes.

- 350mm x 35mm
- Can be trimmed to fit narrower channels
- Will suit radius corners and free form pools to a 1.8m radius
- Modular design for easy installation



Grate-Tech Corner Section

Designed to offer an attractive & seamless transition for pools with overflow channel grating on all four sides of the pool. Our corner sections maintain the same design to the 300 & 350 mm channel grating product with the same attractive non slip surface.

- Suitable for 300mm & 350mm channel grating
- Modular design for easy installation

Manufacturer and Supplier of...

COMMERCIAL AND RESIDENTIAL AQUATICS SPECIALISTS POOL REFURBISHMENT AND MEMBRANE INSTALLATION **POOL WATER DISINFECTION** PUMPING AND FILTRATION **POOL HEATING** THERMAL POOL COVERS **ROBOTIC POOL VACS** CHEMICALS AND TESTING EQUIPMENT **POOL DECK HARDWARE** SAUNA AND STEAM



Commercial and Residential Aquatic Specialists

Christchurch – 34 Acheron Drive, Riccarton, 03 348 2072
Wellington – cnr Meachen & Barnes Streets, Petone, 04 568 3521
Auckland – Unit A6, 269a Mt Smart Rd, Onehunga, 09 579 6500
E info@coombesaquatics.co.nz **W** coombesaquatics.co.nz

