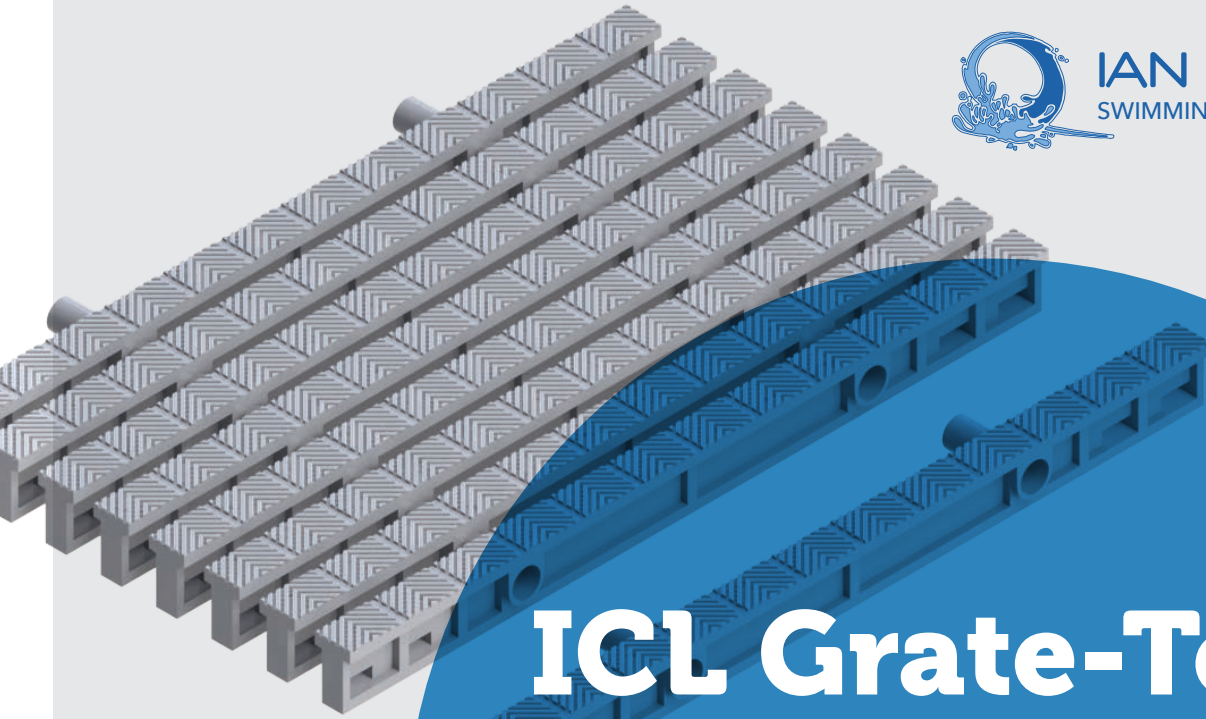




**IAN COOMBES**  
SWIMMING POOL SPECIALISTS

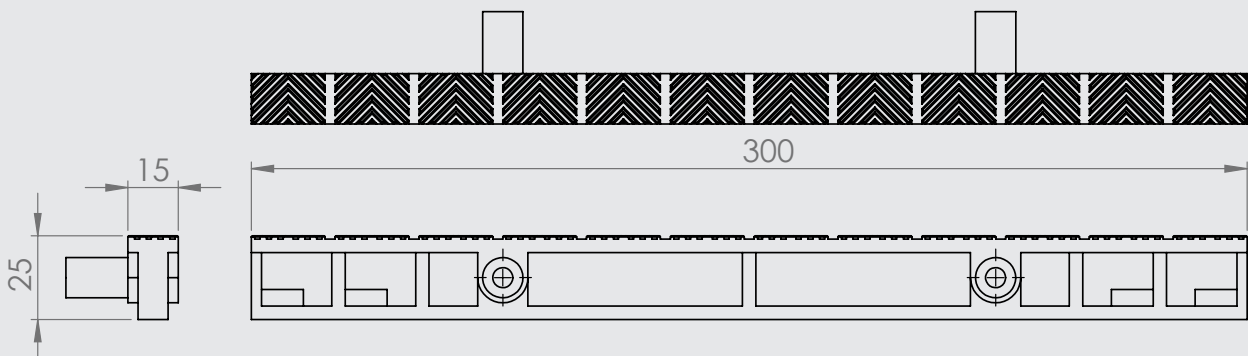


# ICL Grate-Tech Overflow Channel Grating

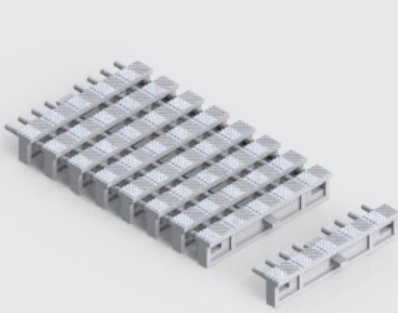
Ian Coombes Limited introduces the ICL Grate-Tech System. Offering high strength, combined with an attractive non-slip surface and backed by an exclusive 10-year warranty, ICL Grate-Tech offers many superior features and benefits.

## Features and benefits:

- Designed in New Zealand to a proven design
- Long life, 10-year conditional warranty against breakage
- Superior resilience and strength to absorb shock loads
- Available in virtually any colour (minimum order applies)
- Individual moldular tight interlocking push-fit sections
- Made of long life UV stabilized PVC
- An optional molded PVC clamp is available to secure grating to the channel
- Attractive, non-slip top surface
- Top surface also offers superior water channeling into the overflow channel, in minimising the chances of water surging over the grating and onto the pool concourse
- Grating can be trimmed to suit various channel widths and depths
- Competatively priced
- Tested to Australian Loading Code for Building Design AS1657
- Radiused corners and free form pools are easily fitted with ICL Grate-Tech to a 1.8m radius



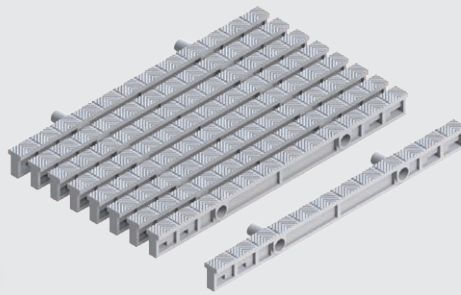
# Choose an ICL Grate-Tech high strength overflow channel grate



## 125mm Drainage Channel Grate

To complement the Overflow Channel Grate we also produce a smaller drainage channel grate to match the colour and style of the overflow channel. Ideal for new facilities where a consistent visual approach is desired.

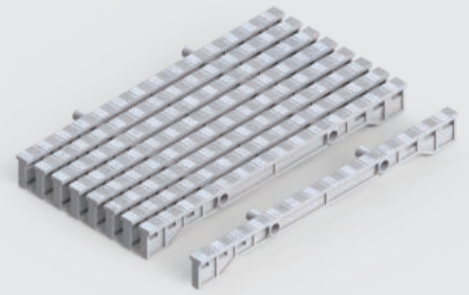
- 125mm x 25mm
- Will suit radius corners and free form pools
- Modular design for easy installation



## 300mm Overflow Grate

Our 300mm wide product can be found in pools all across New Zealand & Australia. Popular due to its modular design making it easy to install and requiring very little maintenance.

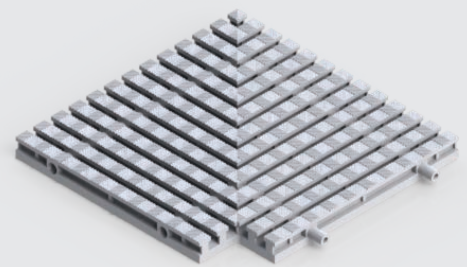
- 300mm x 25mm
- Can be trimmed to fit narrower channels
- Will suit radius corners and free form pools to a 1.8m radius
- Modular design for easy installation



## 350mm Overflow Grate

This 350mm wide grating offers all of the advantages of our 300mm wide ICL Grate-tech but in a larger size. This grating is also able to be trimmed to fit narrower channel sizes.

- 350mm x 35mm
- Can be trimmed to fit narrower channels
- Will suit radius corners and free form pools to a 1.8m radius
- Modular design for easy installation



## Gratetech Corner Section

Designed to offer an attractive & seamless transition for pools with overflow channel grating on all four sides of the pool. Our corner sections maintain the same design to the 300 & 350 mm channel grating product with the same attractive non slip surface.

- Suitable for 300mm & 350mm channel grating
- Modular design for easy installation

## Manufacturer and Supplier of...

**FILTRATION AND TREATMENT**  
 THERMAL POOL BLANKETS **REINFORCED**  
**PVC POOL MEMBRANES** BLANKET STORAGE  
 SYSTEMS **POOL HEATING** AUTOMATIC  
 POOL CLEANERS **WATER FEATURES AND**  
**SPLASH PADS** POOL REFURBISHMENT AND  
 CONSTRUCTION **POOL DECK HARDWARE**  
 OVERFLOW CHANNEL GRATING  
**LANE ROPES** CHEMICALS AND  
 TESTING **SAUNA AND STEAM**  
**EQUIPMENT**



**IAN COOMBES**  
 SWIMMING POOL SPECIALISTS

**Christchurch** - 34 Acheron Drive, Riccarton, 03 348 2072  
**Wellington** - cnr Meachen & Barnes Streets, Petone, 04 568 3521  
**Auckland** - Unit A6, 269a Mt Smart Rd, Onehunga, 09 579 6500  
 E [info@iancoombes.co.nz](mailto:info@iancoombes.co.nz) W [iancoombes.co.nz](http://iancoombes.co.nz)

